



Simplicity Bubblers
Chilled Beverage Dispensers 1x18 L,
agitator model with locking lid and UK
plug

ITEM # _____

MODEL # _____

NAME # _____

SIS # _____

AIA # _____



CCCRKU (ECSID22UK) * NOT TRANSLATED *

Main Features

- Agitation function for fresh juices, coffees, or teas with minimal foaming system.
- Easy-off bowl release system for faster and easier assembly and disassembly.
- User friendly design enables machine to dispense product till the very last drop.
- Dispense 18 L in easy-clean bowl with 23 cm cup clearance.

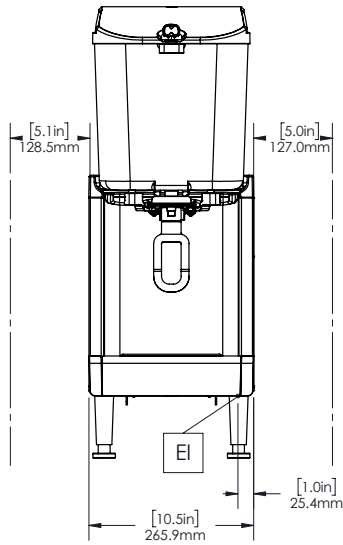
Construction

- Compact size of 27 cm wide saves valuable counter space.
- Temperature range from 1.7 - 5° C.
- Refrigerant type: R290.
- Pre-mix dispenser with stainless steel base and clear plastic bowls.
- Fewer removable parts to simplify cleaning and reduce maintenance.
- The air intakes from the bottom and exhaust to back.
- Locking lid for added safety against tampering.

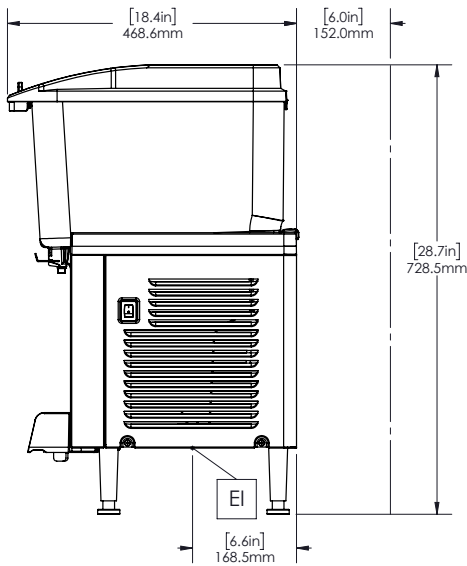
APPROVAL: _____



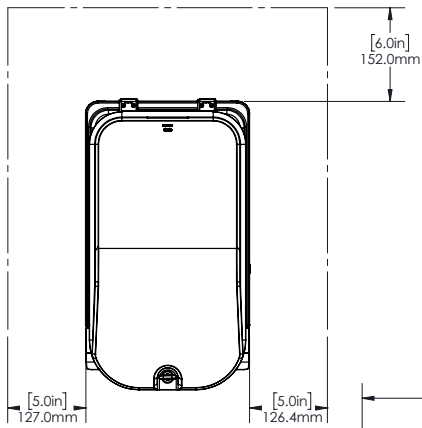
Front



Side



Top



Electric

Supply voltage:

CCCRKU (ECSID22UK) 220-240 V/1N ph/50/60 Hz

Electrical power max.:

0.4 kW

Key Information:

External dimensions, Width:	267 mm
External dimensions, Depth:	451 mm
External dimensions, Height:	729 mm
Net weight:	20 kg
Shipping weight:	24 kg
Shipping height:	640 mm
Shipping width:	500 mm
Shipping depth:	390 mm

Sustainability

Refrigerant type:	R290
Refrigerant weight:	50 g